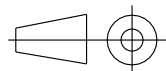
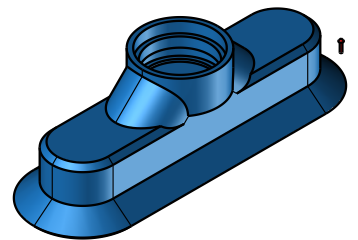
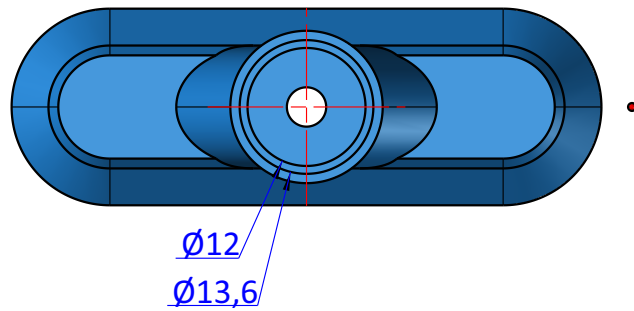
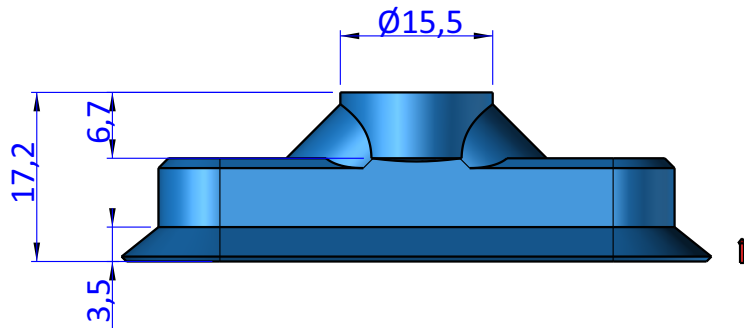
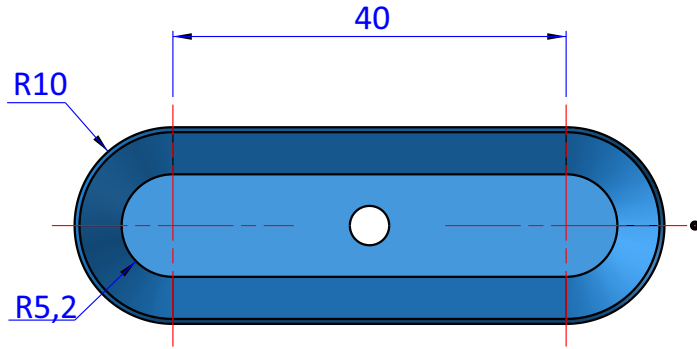


THE PROPERTY OF THE DRAWING IS ESTABLISHED BY LAW. IT IS FORBIDDEN TO PRODUCE OR SHOW IT TO THIRD PART - WITHOUT A WRITTEN AGREEMENT.



DESIGNED FROM

FPS Automation

REVIEW

A

DATE

06/10/2020

WEIGHT

0,006kg

CODE

CA.08.39.007

Format A4

UNI 936-76

GENERAL TOLERANCE

UNI - ISO 2768

CLASSE f

DESCRIPTION

CA.08.39.007

Format A4 UNI 936-76	FPS FPS SERVICES AUTOMATION		DESIGNED FROM FPS Automation		REVIEW A
	GENERAL TOLERANCE UNI - ISO 2768 CLASSE f		DATE 06/10/2020		WEIGHT 0,006kg
			CODE CA.08.39.007		